

INSTALLATION PROCEDURE IS THE SAME FOR ALL GATES  
30" YELLOW P/N 501916, 30" GREY P/N 501917, 36" YELLOW P/N 501918  
36" GREY P/N 501919, 42" YELLOW P/N 501914, 42" GREY P/N 501915

**GATE MAY BE MOUNTED FOR LEFT OR RIGHT SWING  
GATE ALWAYS OPENS AWAY FROM FALL HAZARD**

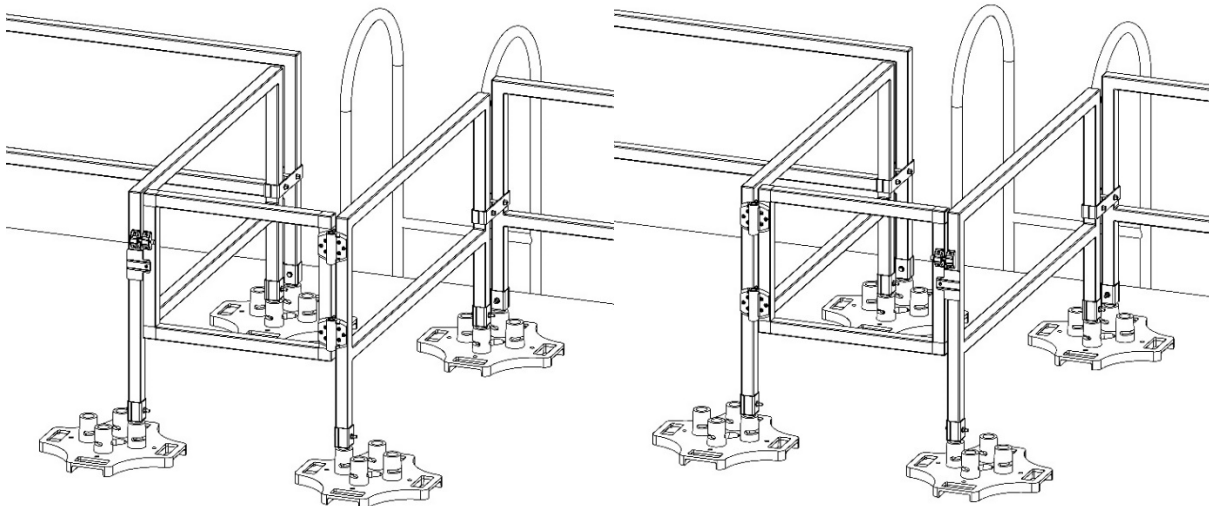
**TOOLS REQUIRED FOR ASSEMBLY**

CORDLESS DRILL WITH ADJUSTABLE CLUTCH SETTING

11/64" DIAMETER DRILL BIT

PHILLIPS SCREW DRIVER BIT FOR DRILL

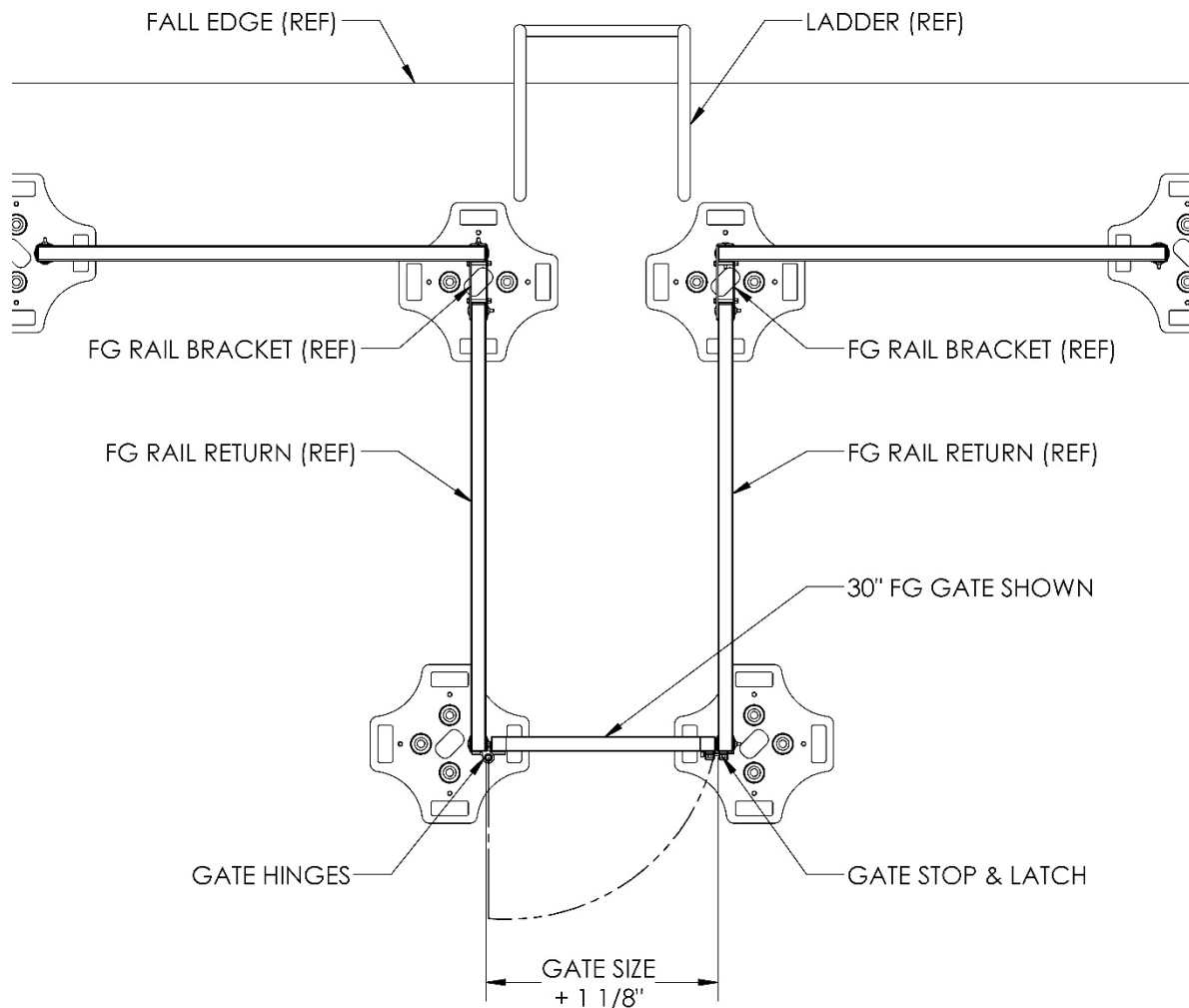
TAPE MEASURE



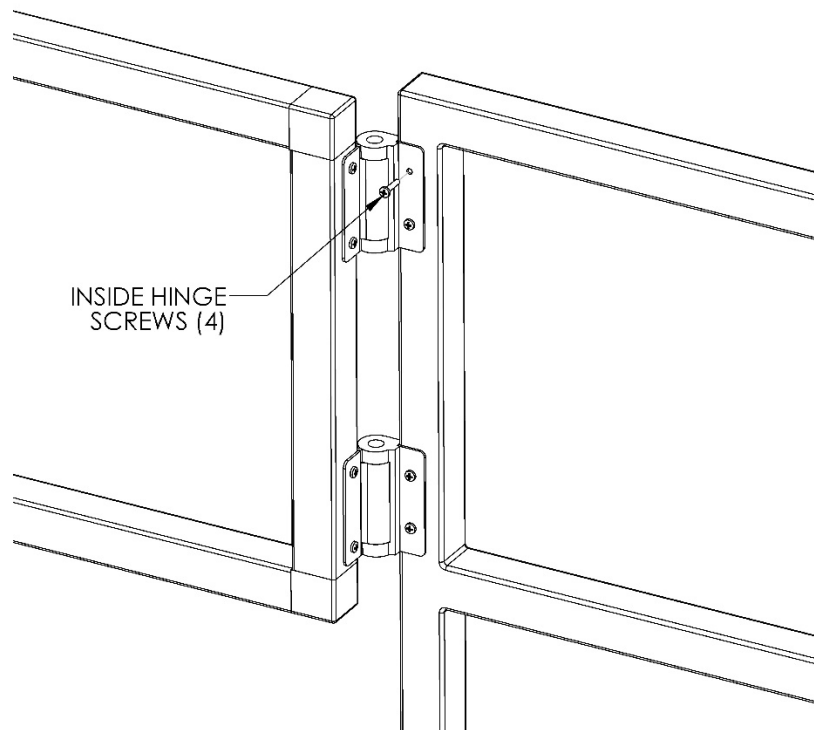
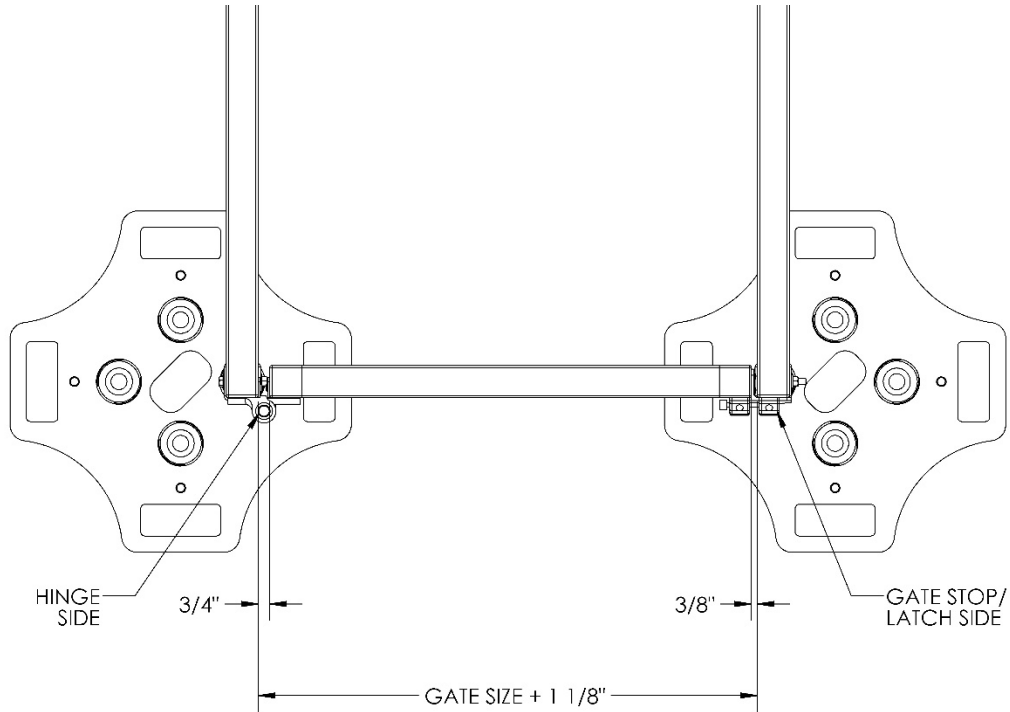
**Left Swing**

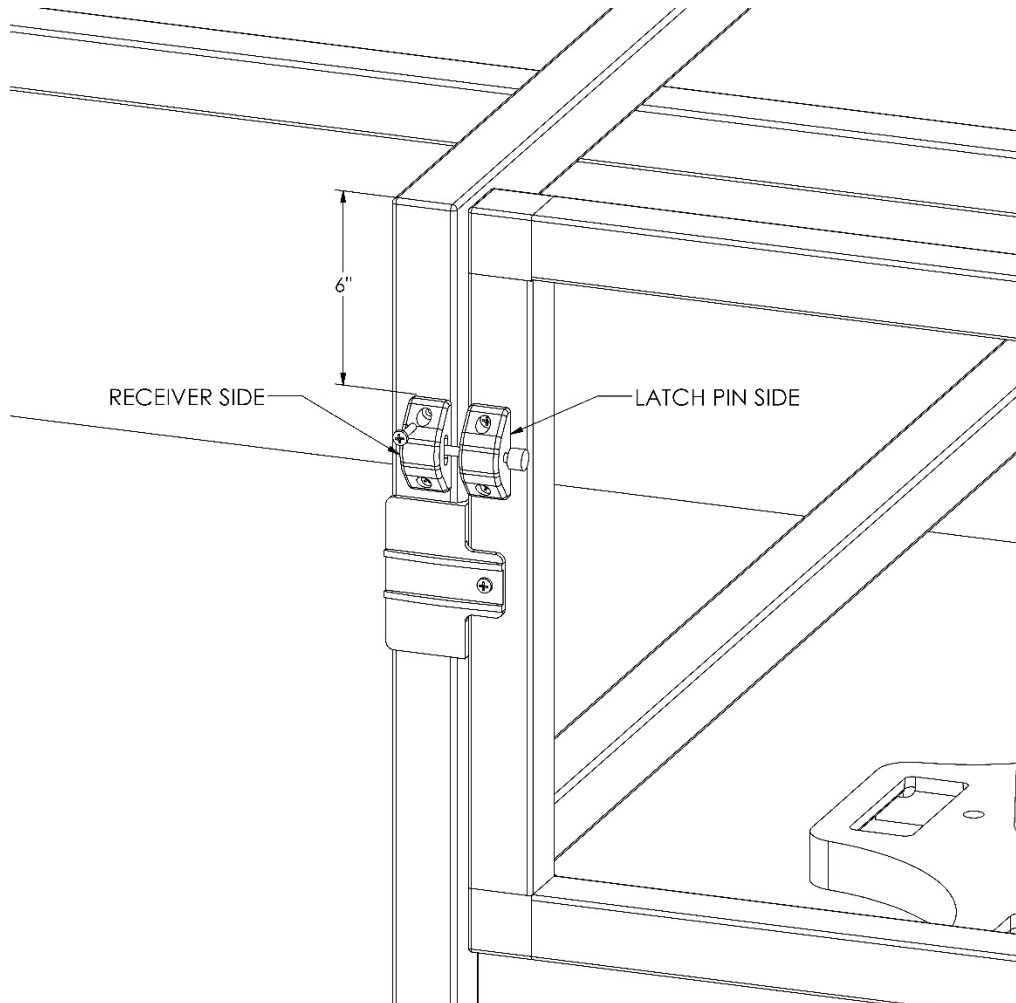
**Right Swing**

1. Begin installation by centering returns at roof access point; (ladder, stair, etc.)
2. Space the inside edge of the returns at the FG Gate width plus 1 1/8".  
(See diagram on next page.)
3. Be sure the rail returns are perpendicular to the fall edge rails and rail brackets are in place.
4. Hold the FG Gate flush to the top edge of the return rails and mark the (5) hole locations on the gate hinges. Hinges have (2) holes on the inside legs also, (10) holes total.
5. Drill holes with 11/64" drill bit. **DO NOT USE OVERSIZED DRILL BITS**



6. Attach FG Gate to Rail Return on Hinge side first with provided screws using Cordless Drill at a low clutch setting of 10 to 12. Make sure both legs of the hinges are flush to the Rail Return surfaces. You may hand torque the screws afterward but do not over torque. (Stripping the fiberglass holes may occur if over torqued.)
7. Attach the Gate Latch above the Gate Stop, 6" from the top edge. Gate Latch Receiver goes on return side and Latch Pin is mounted to FG Gate side. Be sure Latch Pin and Latch Receiver are aligned.





### INSTALLATION INSPECTION PROCEDURE

- Verify that all parts are free from damage. Damaged parts should be replaced.
  - Verify that Latch Pin is locking and securely in place.
  - Verify that the FG Gate is secure and free to open and close.